

## SOW-300

### INDOOR LED BEACON

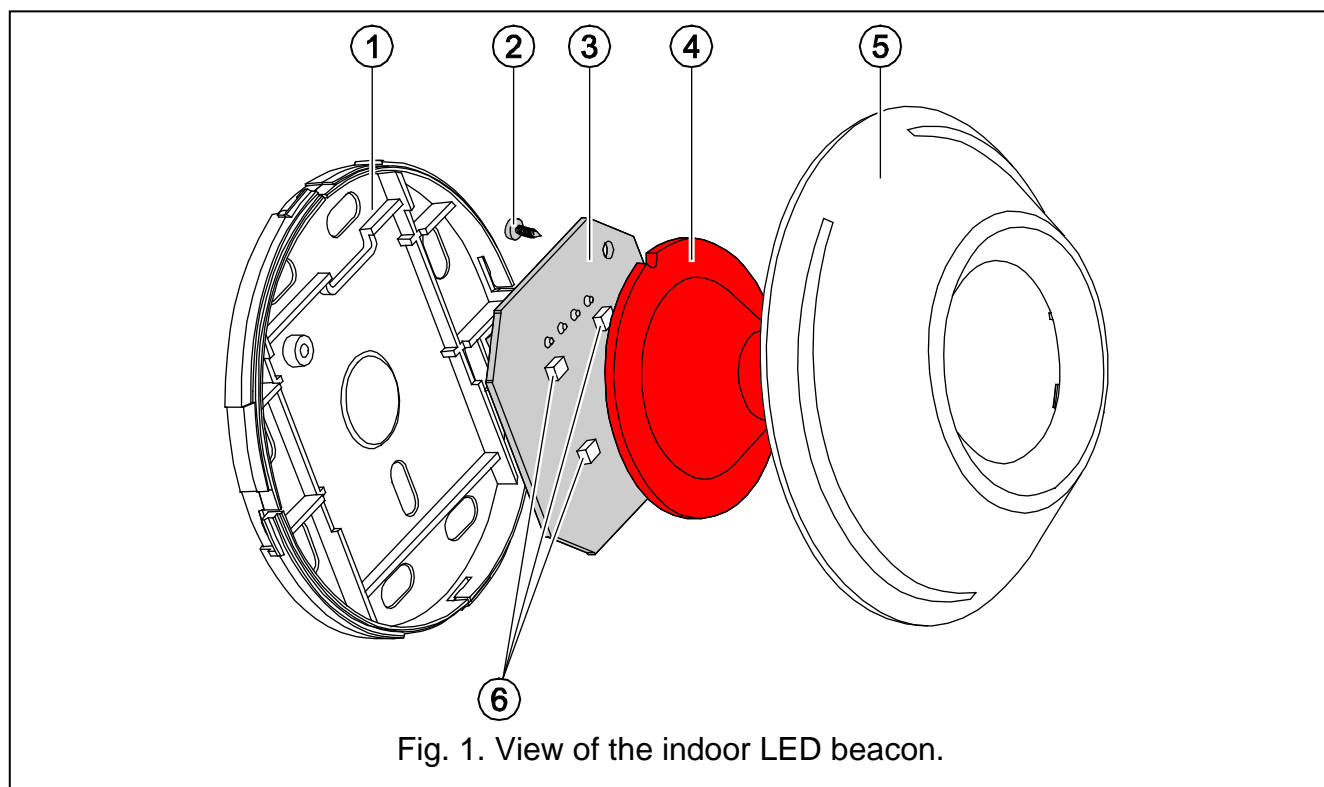


sow300\_en 05/12

The SOW-300 indoor LED beacon is offered in 3 versions differing by the color of optical signal (red in SOW-300 R, blue in SOW-300 BL, orange in SOW-300 O).

## 1. FEATURES

- Optical signaling by means of super bright LEDs.
- 4 selectable signaling modes.
- Tamper protection against opening the housing.



Explanations for Figure 1:

- 1 - housing base.
- 2 - screw for fixing the electronics board to the cover.
- 3 - electronics board.
- 4 - transparent element of the cover for light diffusion.
- 5 - cover.
- 6 - LEDs.

## 2. DESCRIPTION OF ELECTRONICS BOARD

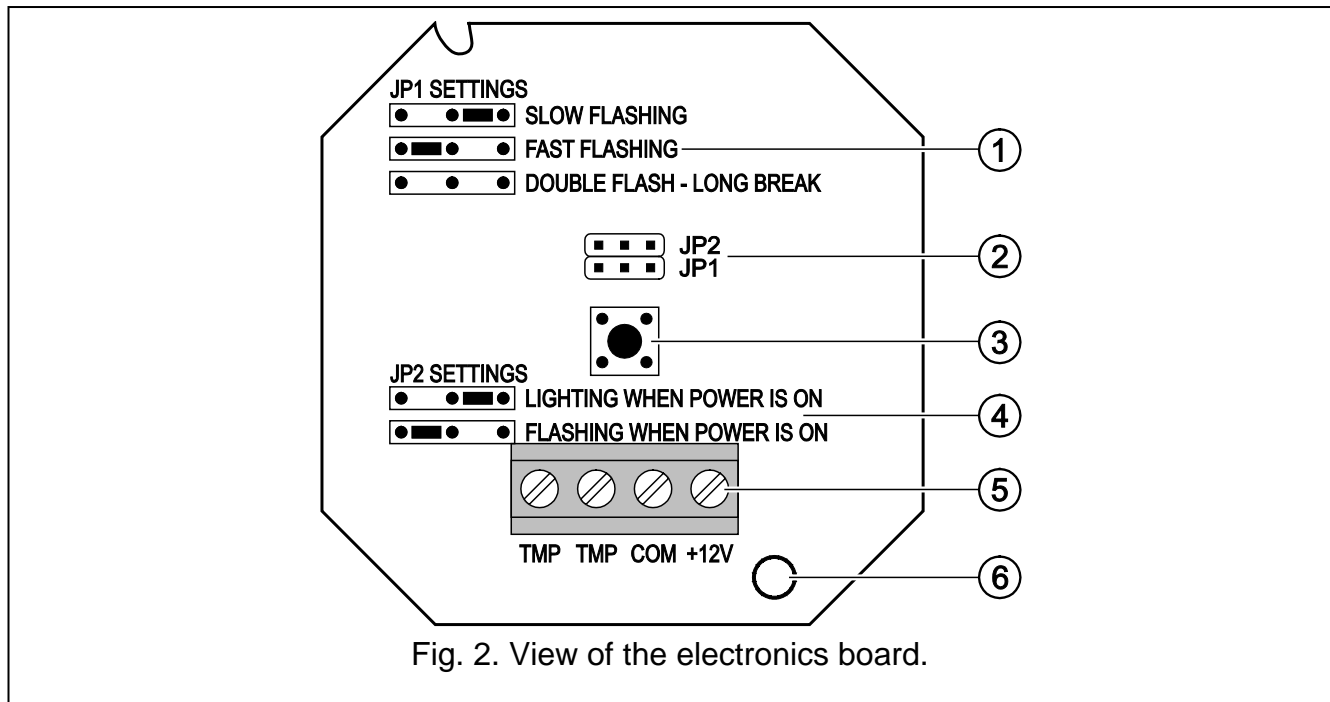


Fig. 2. View of the electronics board.

Explanations for Figure 2:

- 1 - way of placing jumpers on the JP1 pins.
- 2 - JP1 and JP2 pins for selecting the signaling mode.
- 3 - tamper contact reacting to housing opening.
- 4 - way of placing jumpers on the JP2 pins.
- 5 - terminals:
  - TMP** - tamper contact.
  - COM** - common ground.
  - +12V** - power supply input.
- 6 - fixing screw hole.

## 3. TYPES OF OPTICAL SIGNALING

In order to set the selected type of optical signaling, put the jumpers on the JP1 and JP2 pins accordingly (see Fig. 3):

- I - two flashes followed by one- second pause,
- II - slow flashing (once per second),
- III - fast flashing (twice per second),
- IV - steady light (regardless of the jumper setting on the JP1 pins),
- V - no light (regardless of the jumper setting on the JP1 pins).

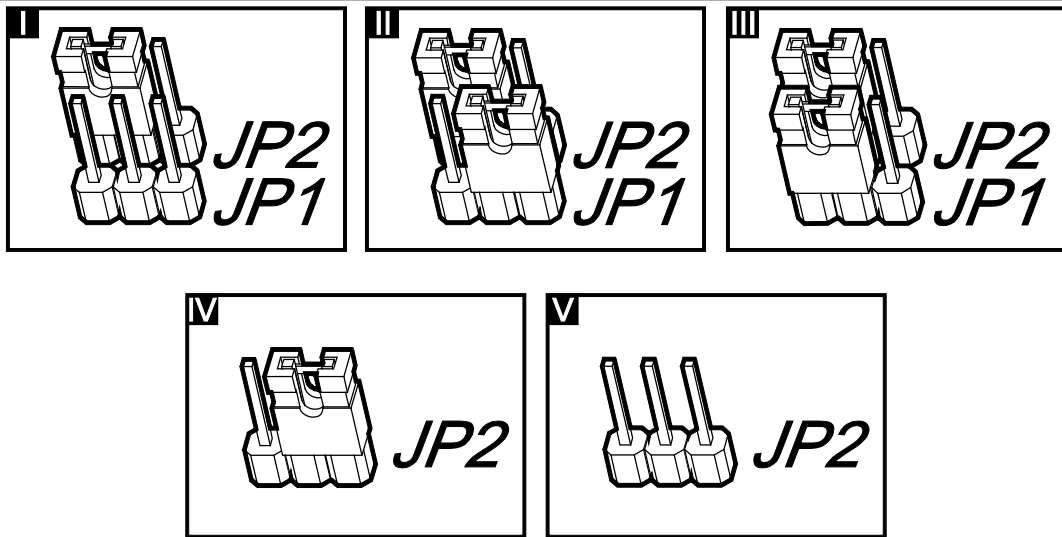


Fig. 3. Way of putting jumpers for the respective types of optical signaling.

#### 4. INSTALLATION AND CONNECTION

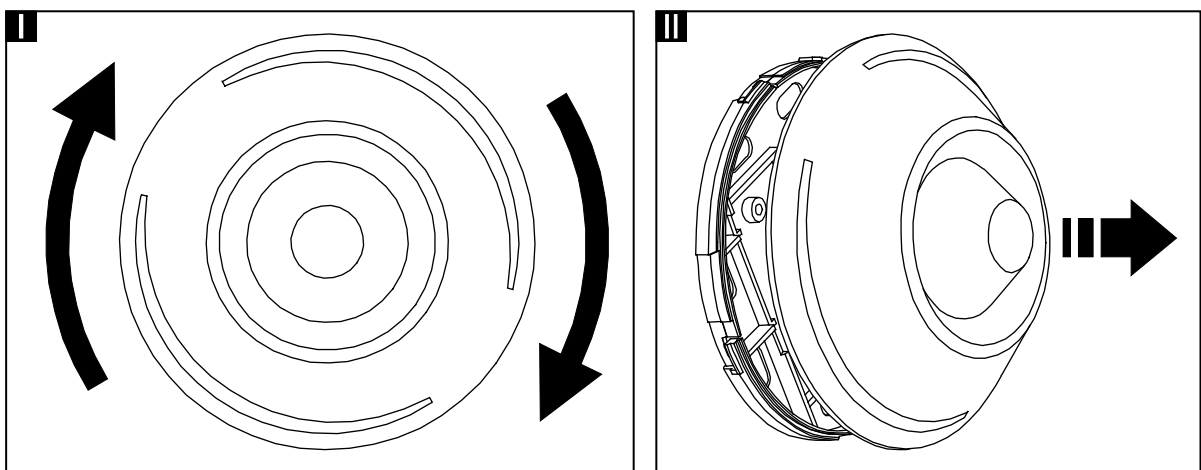


Fig. 4. Removing the cover.

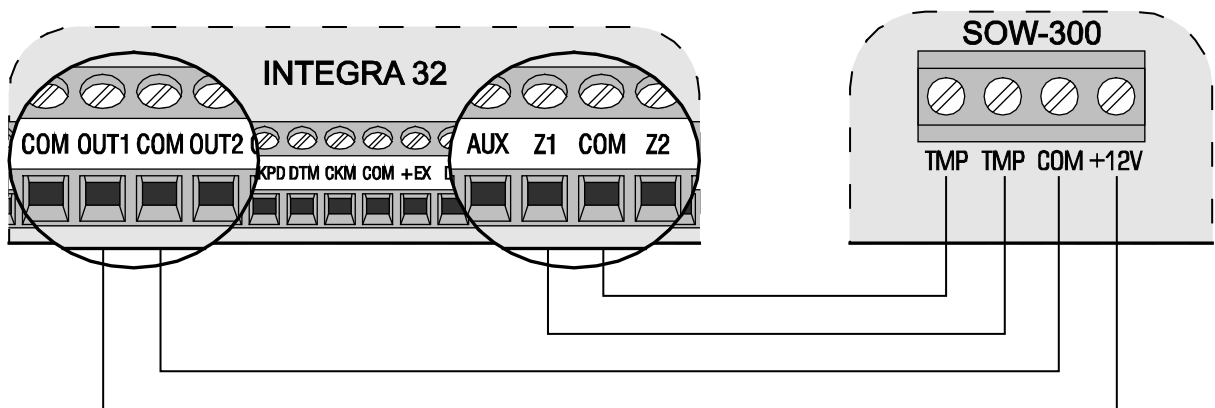
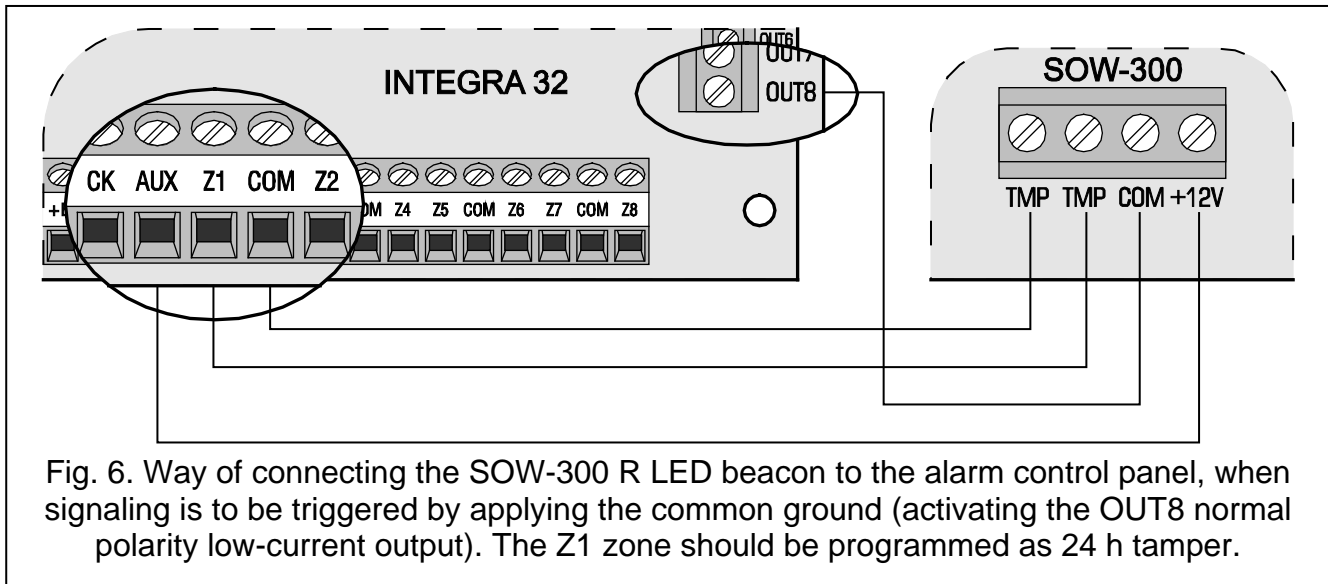


Fig. 5. Way of connecting the LED beacon to the alarm control panel, when signaling is to be triggered by applying +12 V voltage (activating the OUT1 normal polarity high-current output). The Z1 zone should be programmed as 24 h tamper.

- The LED beacon may only be used indoor.
- The LED beacon should be installed on a flat surface by means of screws and expansion bolts.
- All connections should only be made after the alarm system power supply has been disconnected.



## 5. SPECIFICATIONS

Power supply voltage .....	12 V DC $\pm$ 15%
Maximum current consumption	
SOW-300 R / SOW-300 O .....	44 mA
SOW-300 BL.....	85 mA
Environmental class according to EN50130-5 .....	II
Operating temperature range.....	-10...+55 °C
Maximum humidity .....	93 $\pm$ 3%
Dimensions .....	$\varnothing$ 97 x 37 mm
Weight.....	50 g

**The declaration of conformity may be consulted at [www.satel.eu/ce](http://www.satel.eu/ce)**

SATEL sp. z o.o.  
 ul. Schuberta 79  
 80-172 Gdańsk  
 POLAND  
 tel. + 48 58 320 94 00  
 info@satel.pl  
 www.satel.eu